

1800 Series Gravity Conveyor Roller



# 1800 Series

## Gravity Conveyor Roller

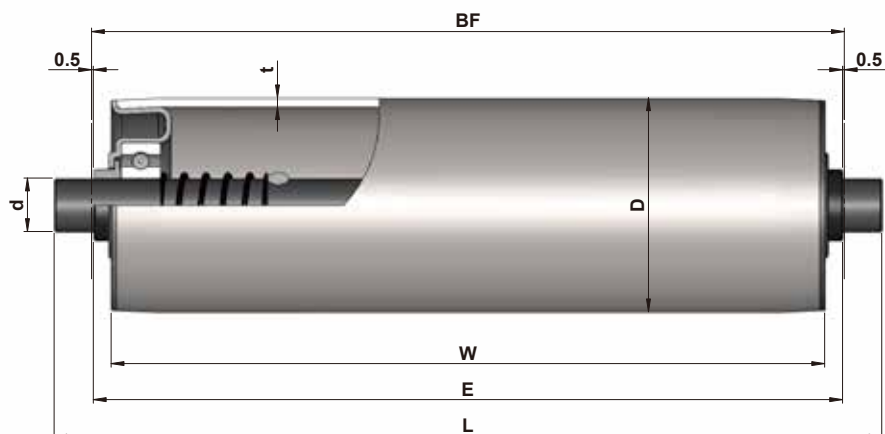
---

### Product Features

- The precision ball bearing is secured in the steel stamped bearing housing. The bearing is tight and durable. Able to withstand greater axial forces than a plastic bearing unit.
- The environmental working conditions are broad. They can be used in both high and low temperature applications.
- Complete range of tube diameters available. High load capacity.
- Anti-static design.
- Temperature range: -20°C ~ +80°C.

### Specifications

Bearing Unit	
Bearing housing	Steel, zinc plated
Precision ball bearing	6001/6202/6004/6204
Ground sleeve	Polyamide, black



## 1800 Series Spring Loaded

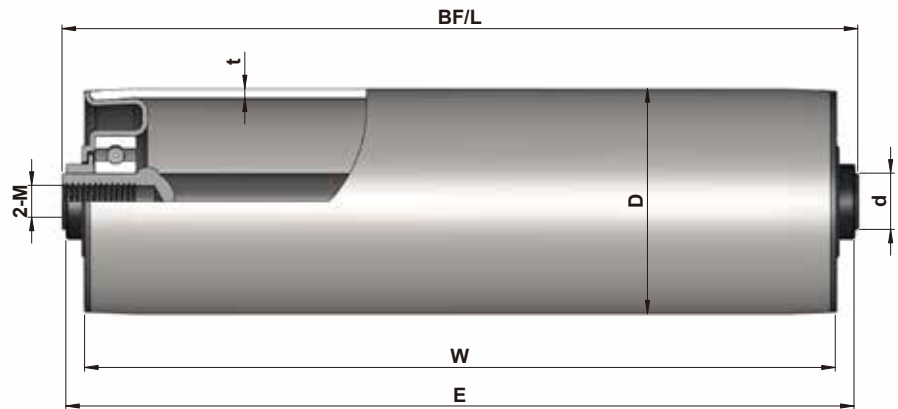
Tube Dia.(D)	Shaft Dia.(d)			
Φ50	Φ12	BF=W+9	E=W+8	L=W+30
Φ50	Φ15	BF=W+11	E=W+10	L=W+32
Φ60	Φ12/15	BF=W+11	E=W+10	L=W+32
Φ80	Φ20	BF=W+11	E=W+10	L=W+40
Φ89	Φ20	BF=W+11	E=W+10	L=W+40

Tube	D*T	Shaft Dia.(d)		
		Φ12	Φ15	Φ20
Steel, zinc plated	Φ50x1.5	1.800.JHA.ACA	1.800.JHA.ADA	
	Φ50x2.0	1.800.JWA.ACA	○	
	Φ60x2.0	1.800.JOA.ACA	1.800.JOA.ADA	
	Φ60x3.0		1.800.JLA.ADA	
	Φ80x2.0			○
	Φ80x3.0			1.800.J6A.AEA
	Φ89x3.0			1.800.JYA.AEA
	Φ89x4.0			○
Stainless steel	Φ50x1.5	1.800.NHC.BCA	1.800.NHC.BDA	
	Φ60x2.0	1.800.NOC.BCA	1.800.NOC.BDA	
Aluminium	Φ50x1.5	1.800.AHC.ACA	1.800.AHC.ADA	
	Φ60x2.0	1.800.AOC.ACA	1.800.AOC.ADA	
	Φ80x4.0			○

○—Available configuration

⚙️ Φ50、60mm rollers can be fitted with PVC sleeve (2mm).

## 1800 Series Gravity Conveyor Roller



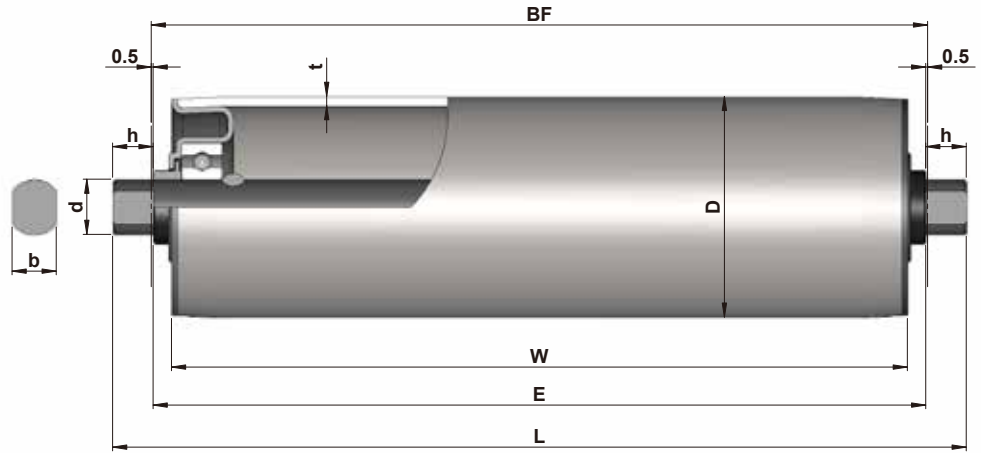
## 1800 Series Internal Thread

Tube Dia.(D)	Shaft Dia.(d)			
Φ50	Φ12	BF=W+9	E=W+8	L=W+9
Φ50	Φ15	BF=W+11	E=W+10	L=W+11
Φ60	Φ12/15	BF=W+11	E=W+10	L=W+11
Φ80	Φ20	BF=W+11	E=W+10	L=W+11
Φ89	Φ20/25	BF=W+11	E=W+10	L=W+11

Tube	D*T	Shaft Dia.(d)				
		Φ12(M8x15)	Φ15(M10x20)	Φ17 ( M12x25 )	Φ20 ( M12x25 )	Φ25 ( M12x25 )
Steel, zinc plated	Φ50x1.5	1.800.JHA.ACC	1.800.JHA.ADC			
	Φ50x2.0	1.800.JWA.ACC	○	○		
	Φ60x2.0	1.800.JOA.ACC	1.800.JOA.ADC		○	
	Φ60x3.0		1.800.JLA.ADC	○		
	Φ80x2.0				○	
	Φ80x3.0				1.800.J6A.AEC	
	Φ89x3.0				1.800.JYA.AEC	○
	Φ89x4.0				○	
Stainless steel	Φ50x1.5	1.800.NHC.BCC	1.800.NHC.BDC			
	Φ60x2.0	1.800.NOC.BCC	1.800.NOC.BDC		○	
Aluminium	Φ50x1.5	1.800.AHC.ACC	○			
	Φ60x2.0	1.800.AOC.ACC	1.800.AOC.ADC		○	
	Φ80x4.0				○	

○—Available configuration

⚙️ Φ50、60mm rollers can be fitted with PVC sleeve (2mm).



## 1800 Series Milled Flats

Tube Dia.(D)	Shaft Dia.(d)			
Φ50	Φ12	BF=W+9	E=W+8	L=W+30
Φ50	Φ15	BF=W+11	E=W+10	L=W+32
Φ60	Φ12/15	BF=W+11	E=W+10	L=W+32
Φ80	Φ20	BF=W+11	E=W+10	L=W+40
Φ89	Φ20	BF=W+11	E=W+10	L=W+40

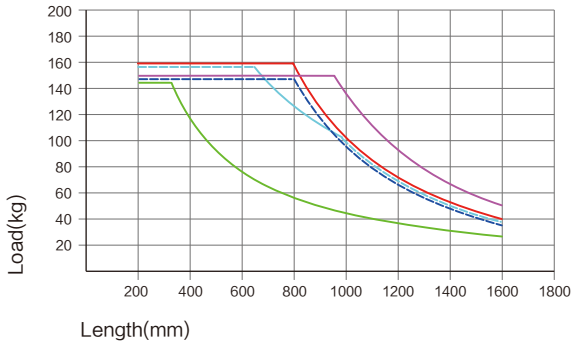
Tube	D*T	Shaft Dia.(d)		
		Φ12 ( b/h=10/11 )	Φ15 ( b/h=12/11 )	Φ20 ( b/h=16/15 )
Steel, zinc plated	Φ50x1.5	1.800.JHA.ACB	1.800.JHA.ADB	
	Φ50x2.0	1.800.JWA.ACB	○	
	Φ60x2.0	1.800.JOA.ACB	1.800.JOA.ADB	○
	Φ60x3.0		1.800.JLA.ADB	
	Φ80x2.0			○
	Φ80x3.0			1.800.J6A.AEB
	Φ89x3.0			1.800.JYA.AEB
	Φ89x4.0			○
Stainless steel	Φ50x1.5	1.800.NHC.BCB	1.800.NHC.BDB	
	Φ60x2.0	1.800.NOC.BCB	1.800.NOC.BDB	○
Aluminium	Φ50x1.5	1.800.AHC.ACB	○	
	Φ60x2.0	1.800.AOC.ACB	1.800.AOC.ADB	○
	Φ80x4.0			○

○—Available configuration

⚙️ Φ50、60mm rollers can be fitted with PVC sleeve (2mm).

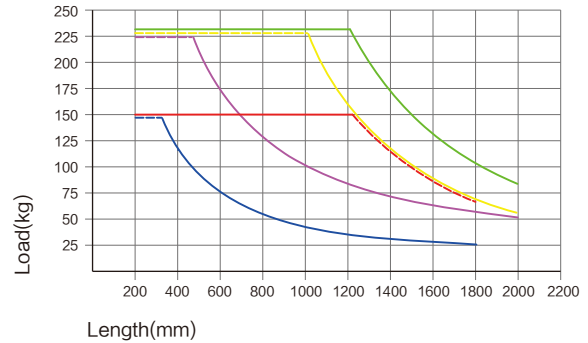
# 1800 Series Gravity Conveyor Roller

## 1800 Series Load Capacity



Length(mm)

- Tube  $\Phi 50 \times 1.5$ , shaft  $\Phi 15$ , internal thread
- Tube  $\Phi 50 \times 1.5$ , shaft  $\Phi 15$ , spring loaded
- Tube  $\Phi 50 \times 2.0$ , shaft  $\Phi 12$ , internal thread
- Tube  $\Phi 50 \times 1.5$ , shaft  $\Phi 12$ , internal thread
- Tube  $\Phi 50 \times 1.5/2.0$ , shaft  $\Phi 12$ , spring loaded



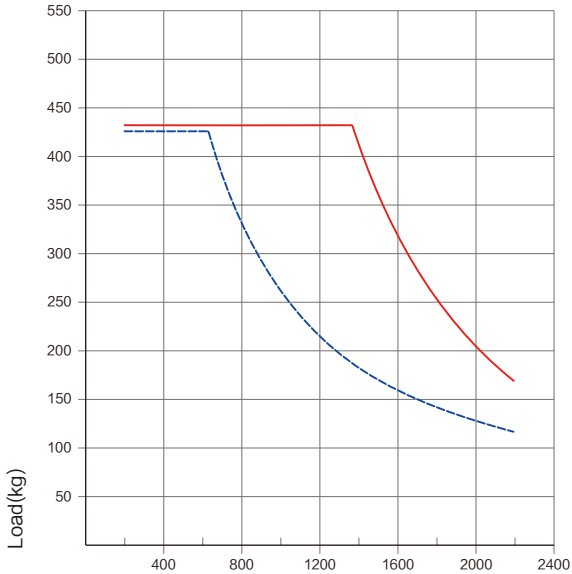
Length(mm)

- Tube  $\Phi 60 \times 3.0$ , shaft  $\Phi 15$ , internal thread
- Tube  $\Phi 60 \times 2.0$ , shaft  $\Phi 15$ , internal thread
- Tube  $\Phi 60 \times 3.0$ , shaft  $\Phi 15$ , spring load
- Tube  $\Phi 60 \times 2.0$ , shaft  $\Phi 12$ , internal thread
- Tube  $\Phi 60 \times 2.0$ , shaft  $\Phi 12$ , spring loaded

⚠ Above data shows the static load capacity of the roller for a uniformly distributed load.

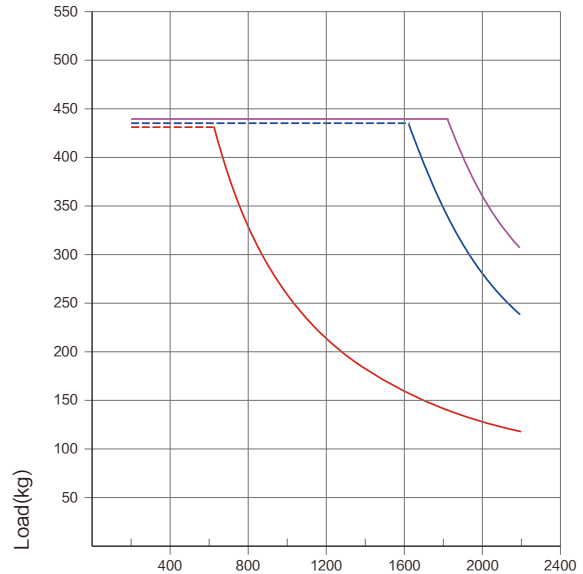


**1800 Series Load Capacity**



Length(mm)

- Tube Ø80x3.0, shaft Ø20, internal thread
- Tube Ø80x2.0/3.0, shaft Ø20, spring loaded



Length(mm)

- Tube Ø89x4.0, shaft Ø20, internal thread
- Tube Ø89x3.0, shaft Ø20, internal thread
- Tube Ø89x3.0/4.0, shaft Ø20, spring loaded

▲ Above data shows the static load capacity of the roller for a uniformly distributed load.