

1100 Series Gravity Conveyor Roller



1100 Series

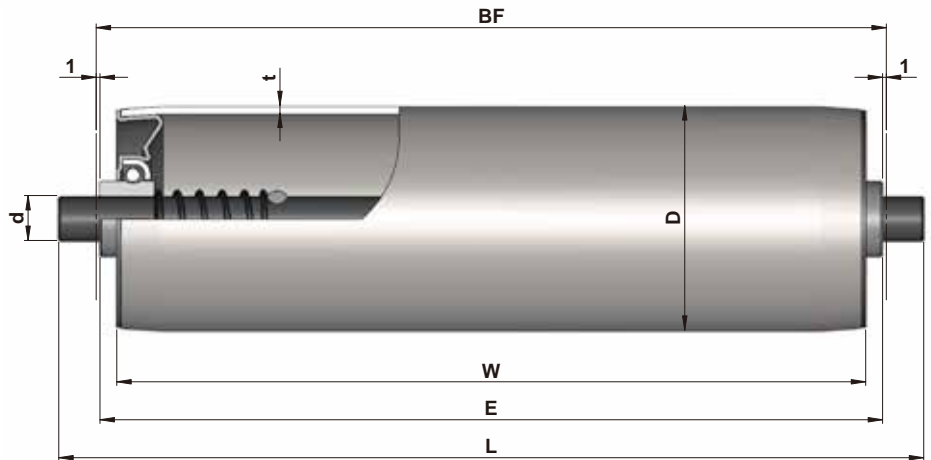
Light, Medium Duty Conveyor Roller

Product Features

- Fitted with specially designed semi-precision bearings
- The ball bearing tolerance is greater than a precision ball bearing. These Rollers have the ability to withstand higher impact loads than other series rollers.
- The environmental working conditions are broad. They can be used in both High and low temperature applications.
- Anti-static design.
- Slightly higher noise levels compared with precision ball bearings.
- Cannot be used as belt conveyor idlers and friction belt conveyor.
- Temperature range: - 20°C ~ + 80°C.

Specifications

Bearing Unit	
Semi-precision bearing	Steel, zinc plated

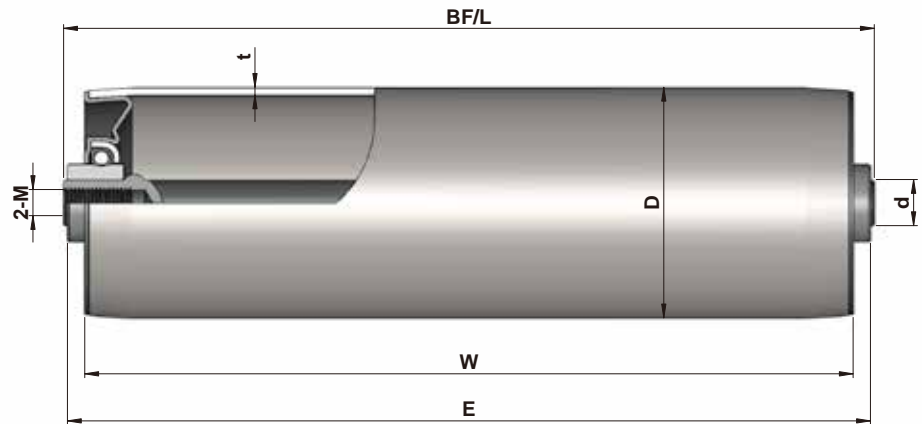


1100 Series Spring Loaded

Tube Dia.(D)	Shaft Dia.(d)			
Φ30	Φ8/10	BF=W+6	E=W+5	L=W+26
Φ40	Φ8/11hex	BF=W+6	E=W+5	L=W+26
Φ40	Φ10/12	BF=W+7	E=W+6	L=W+27
Φ50	Φ8/10/12	BF=W+11	E=W+9	L=W+31
Φ50	11hex	BF=W+6	E=W+5	L=W+26
Φ60	Φ10/12	BF=W+11	E=W+9	L=W+31

Tube	D*T	Shaft Dia.(d)			
		Φ8	Φ10	Φ12	11hex
Steel, zinc plated	Φ30x1.5	1.100.SCC.ABA	1.100.SCC.AMA		
	Φ40x1.5	1.100.SEC.ABA	1.100.SEC.AMA	1.100.SEC.ACA	1.100.SEC.BFA
	Φ50x1.5	1.100.SHC.ABA	1.100.SHC.AMA	1.100.SHC.ACA	1.100.SHC.BFA
	Φ60x2.0		1.100.SOC.AMA	1.100.SOC.ACA	
Steel, zinc plated with PVC sleeve (2mm)	Φ30x1.5	1.100.SCD.ABA	1.100.SCD.AMA		
	Φ40x1.5	1.100.SED.ABA	1.100.SED.AMA		
	Φ50x1.5	1.100.SHD.ABA	1.100.SHD.AMA	1.100.SHD.ACA	1.100.SHD.BFA
	Φ60x2.0		1.100.SOD.AMA	1.100.SOD.ACA	
Steel, zinc plated with PU sleeve (2mm)	Φ50x1.5	1.100.SHV.ABA	1.100.SHV.AMA	1.100.SHV.ACA	1.100.SHV.BFA
Stainless steel	Φ30x1.5	1.100.NCC.BBA	1.100.NCC.BMA		
	Φ40x1.5	1.100.NEC.BBA	1.100.NEC.BMA	1.100.NEC.BCA	1.100.NEC.BFA
	Φ50x1.5	1.100.NHC.BBA	1.100.NHC.BMA	1.100.NHC.BCA	
	Φ60x2.0		1.100.NOC.BMA	1.100.NOC.BCA	
Aluminium	Φ50x1.5	1.100.AHC.ABA	1.100.AHC.AMA	1.100.AHC.ACA	
	Φ60x2.0	1.100.AOC.ABA	1.100.AOC.AMA	1.100.AOC.ACA	

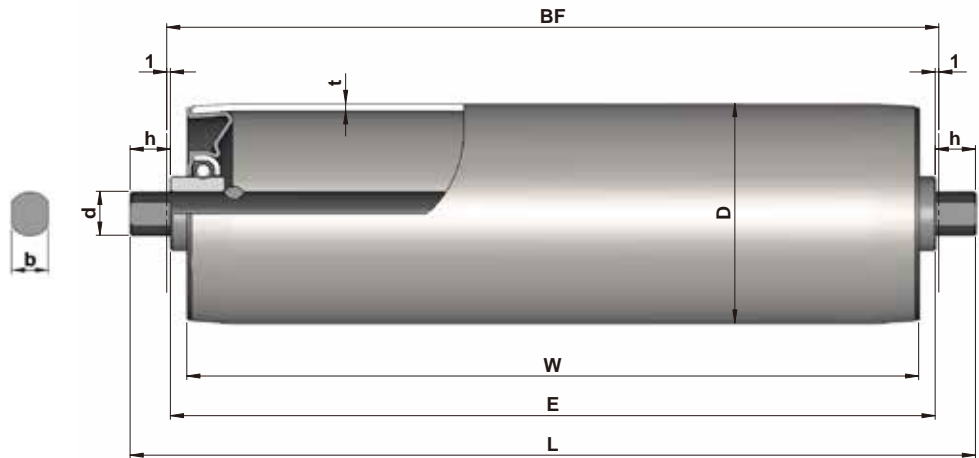
1100 Series Gravity Conveyor Roller



1100 Series Internal Thread

Tube Dia.(D)	Shaft Dia.(d)			
Φ30	Φ8/10	BF=W+6	E=W+5	L=W+6
Φ40	Φ8	BF=W+6	E=W+5	L=W+6
Φ40	Φ10/12	BF=W+7	E=W+6	L=W+7
Φ50	Φ8/10/12	BF=W+11	E=W+9	L=W+11
Φ60	Φ10/12	BF=W+11	E=W+9	L=W+11

Tube	D*T	Shaft Dia.(d)		
		Φ8 (M5x10)	Φ10 (M6x10)	Φ12 (M8x15)
Steel, zinc plated	Φ30x1.5	1.100.SCC.ABC	1.100.SCC.AMC	
	Φ40x1.5	1.100.SEC.ABC	1.100.SEC.AMC	1.100.SEC.ACC
	Φ50x1.5	1.100.SHC.ABC	1.100.SHC.AMC	1.100.SHC.ACC
	Φ60x2.0		1.100.SOC.AMC	1.100.SOC.ACC
Steel, zinc plated with PVC sleeve (2mm)	Φ30x1.5	1.100.SCD.ABC	1.100.SCD.AMC	
	Φ40x1.5	1.100.SED.ABC	1.100.SED.AMC	
	Φ50x1.5	1.100.SHD.ABC	1.100.SHD.AMC	1.100.SHD.ACC
	Φ60x2.0		1.100.SOD.AMC	1.100.SOD.ACC
Steel, zinc plated with PU sleeve (2mm)	Φ50x1.5	1.100.SHV.ABC	1.100.SHV.AMC	1.100.SHV.ACC
Stainless steel	Φ30x1.5	1.100.NCC.BBC	1.100.NCC.BMC	
	Φ40x1.5	1.100.NEC.BBC	1.100.NEC.BMC	1.100.NEC.BCC
	Φ50x1.5	1.100.NHC.BBC	1.100.NHC.BMC	1.100.NHC.BCC
	Φ60x2.0		1.100.NOC.BMC	1.100.NOC.BCC
Aluminium	Φ50x1.5	1.100.AHC.ABC	1.100.AHC.BMC	1.100.AHC.ACC
	Φ60x2.0	1.100.AOC.ABC	1.100.AOC.AMC	1.100.AOC.ACC



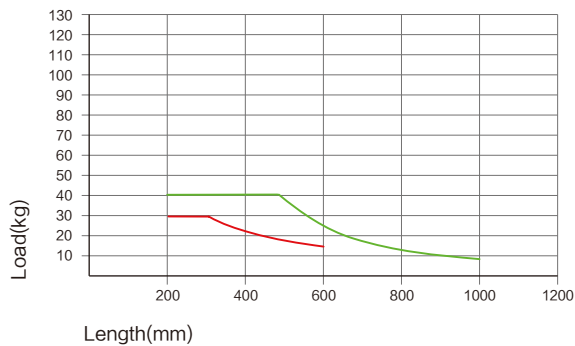
1100 Series Milled Flats

Tube Dia.(D)	Shaft Dia.(d)			
Φ30	Φ8/10	BF=W+6	E=W+5	L=W+26
Φ40	Φ8	BF=W+6	E=W+5	L=W+26
Φ40	Φ10/12	BF=W+7	E=W+6	L=W+27
Φ50	Φ8/10/12	BF=W+11	E=W+9	L=W+31
Φ60	Φ10/12	BF=W+11	E=W+9	L=W+31

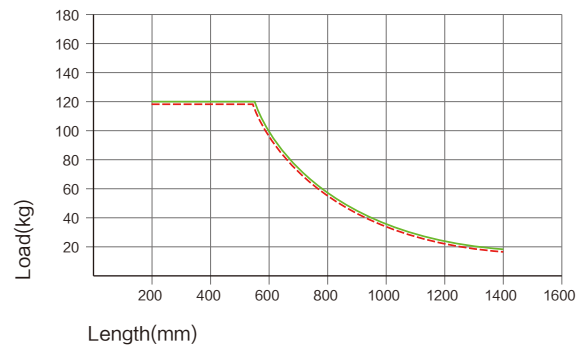
Tube	D*T	Shaft Dia.(d)		
		Φ8 (b/h=6/11)	Φ10 (b/h=8/11)	Φ12 (b/h=10/11)
Steel, zinc plated	Φ30x1.5	1.100.SCC.ABB	1.100.SCC.AMB	
	Φ40x1.5		1.100.SEC.AMB	1.100.SEC.ACB
	Φ50x1.5		1.100.SHC.AMB	1.100.SHC.ACB
	Φ60x2.0		1.100.SOC.AMB	1.100.SOC.ACB
Steel, zinc plated with PVC sleeve (2mm)	Φ30x1.5	1.100.SCD.ABB	1.100.SCD.AMB	
	Φ40x1.5		1.100.SED.AMB	
	Φ50x1.5		1.100.SHD.AMB	1.100.SHD.ACB
	Φ60x2.0		1.100.SOD.AMB	1.100.SOD.ACB
Steel, zinc plated with PU sleeve (2mm)	Φ50x1.5		1.100.SHV.AMB	1.100.SHV.ACB
Stainless steel	Φ30x1.5	1.100.NCC.BBB	1.100.NCC.BMB	
	Φ40x1.5		1.100.NEC.BMB	1.100.NEC.BCB
	Φ50x1.5		1.100.NHC.BMB	1.100.NHC.BCB
	Φ60x2.0		1.100.NOC.BMB	1.100.NOC.BCB
Aluminium	Φ50x1.5		1.100.AHC.AMB	1.100.AHC.ACB
	Φ60x2.0		1.100.AOC.AMB	1.100.AOC.AVB

1100 Series Gravity Conveyor Roller

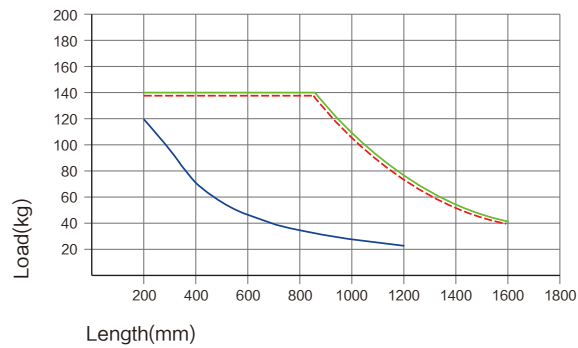
1100 Series Load Capacity



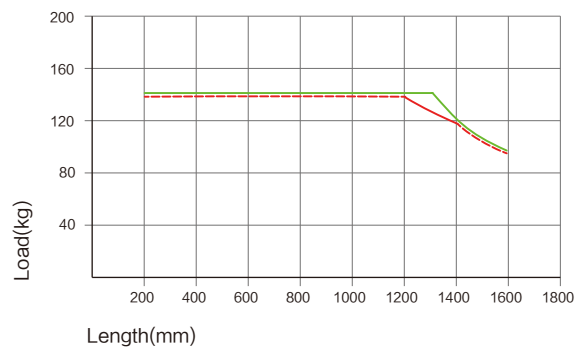
- Steel tube $\Phi 30 \times 1.5$, shaft $\Phi 10$, spring loaded
- Steel tube $\Phi 30 \times 1.5$, shaft $\Phi 8$, spring loaded



- Steel tube $\Phi 40 \times 1.5$, shaft $\Phi 12$, spring loaded
- Steel tube $\Phi 40 \times 1.5$, shaft $\Phi 12$, internal thread



- Steel tube $\Phi 50 \times 1.5$, shaft $\Phi 12$ /hex11, spring loaded
- Steel tube $\Phi 50 \times 1.5$, shaft $\Phi 12$, internal thread
- Steel tube $\Phi 50 \times 1.5$, shaft $\Phi 8$, spring loaded



- Steel tube $\Phi 60 \times 2.0$, shaft $\Phi 12$, internal thread
- Steel tube $\Phi 60 \times 2.0$, shaft $\Phi 12$, spring loaded

⚠ Above data shows the static load capacity of the roller for a uniformly distributed load.